

Model 6490

FROZEN BEVERAGE FREEZER

Application

Single flavor, Countertop machine for freezing milk shakes, smoothies, frozen cocktails, fruit juices, cappuccino, coffees, and slush beverages, all served at the desired thickness.

Freezing Cylinder

One, 4 quarts

Mix Hopper

One, 26.4 quarts Refrigerated to maintain mix below 40°F
Approved for dairy and non-dairy products.

Mix Low Indicator

When mix level is low, the Mix Low light turns "ON" to alert operator to add mix. Compressor shut down setting prevents freeze up or machine damage.

Automatic Consistency Control

Specially designed viscosity control automatically maintains superior product quality. Adjustable control allows the operator to serve a wide variety of frozen beverages at the desired thickness

Output

75 servings per hour.
(Serving size 8 ounces)

Safety Protections

- High pressure switch prevents compressor overheat.
- Thermal overload protects from motor overheat.

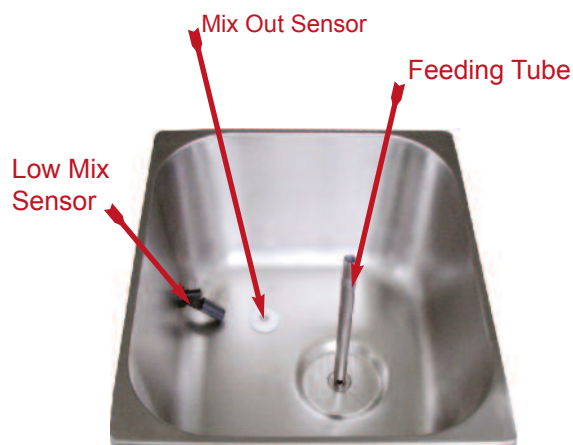


Intertek
4001176



Intertek

Conforms to UL STD 621
Conforms to NSF/ANSI STD 6
Conforms to CAN/CSA STD C22.2 NO 120



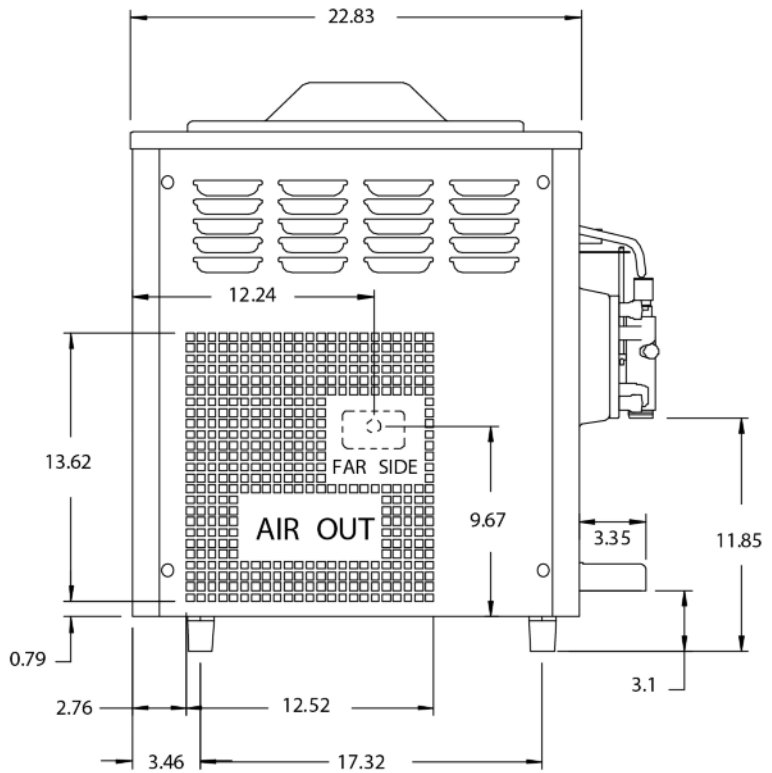
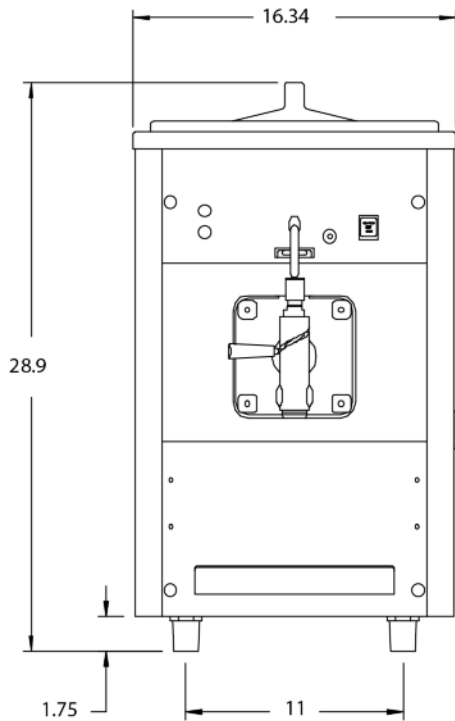
MODEL 6490



AUTHORIZED DEALER
H&M Company USA, Inc.
700 Aldo Ave. • Santa Clara, CA 95054
sales@hmcompanyusa.com
www.HMCompanyUSA.com

U.S. IMPORTER:
Spaceman International USA, Inc.
805-927-2257
info@spacemanusa.com
www.spacemanusa.com

MODEL 6490



Specifications

Weight	Pounds
Net	190
Shipping	214

Packaging Volume	11.08 CBF
-------------------------	-----------

Dimensions	Net - inches	Shipping - inches
Width	16.3	18.3
Depth	22.8	29.5
Height	28.9	35.4

Electrical	Fuse Size	Minimum Circuit Amps	Poles (P) Wires(W)
110-115/60/1	20	16	2P/3W

This unit may be manufactured in other electrical characteristics. Refer to the local Distributor for availability. (For exact electrical information, always refer to the data label of the unit.)

Note

Continuing research results in steady improvements, therefore, these specifications are subject to change without notice.

Electrical

One dedicated electrical connection is required. Consult your local Spaceman distributor for receptacle specifications.

Beater Motor

One, 1/3HP

Refrigeration System

One Compressor: 6000 BTU/HR, R404A

Air Cooled

To ensure adequate cooling, there must be a clearance of 6-inch on each side of this machine. The rear of the machine may be set against the wall.

*Spaceman Factory in China is:
ISO 9001: 2008 Registered Firm*

Spaceman machines are sold by Distributors in specific territories. Contact the Distributor responsible for your Territory.



For Sales & Service Contact:
H&M Company USA, Inc. (408) 899-9068 | sales@hmcompanyusa.com